

2 Channel Load cell HX711 24-Bit ADC for Weigh Scales

Interface with controller
Serial Interface

On-chip active low noise PGA with selectable gain of 32, 64 and 128

Built-in power supply regulator for load-cell

Simultaneous 50 and 60Hz supply rejection

Selectable 10SPS or 80SPS output data rate



Main

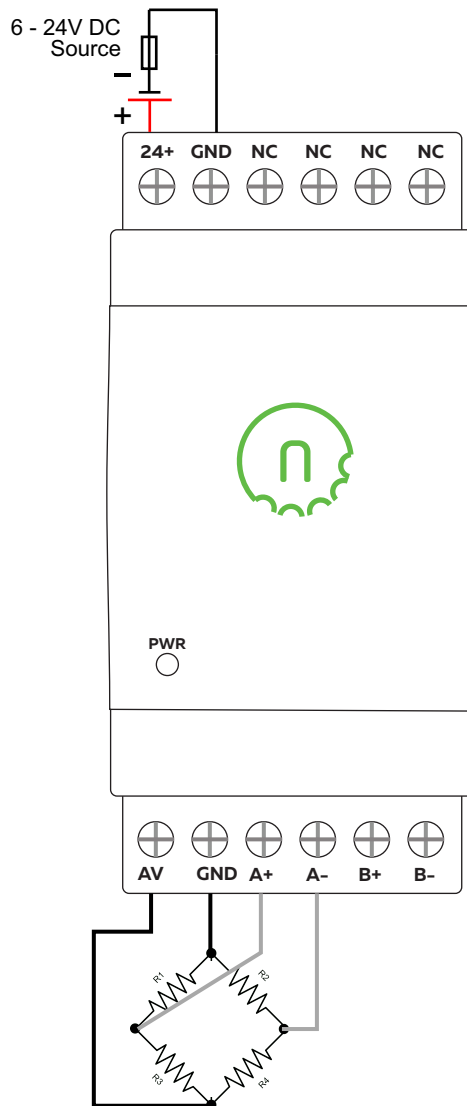
Range of product	NORVI Expansion
Product type	Expansion Module
Rated supply voltage	12 - 24V DC
Field of Application	Weight readings
Applicable Devices	NORVI IIOT / NORVI Arita
Aquisition	Wheatstone bridge load cell
ADC Chip	HX711

Complementary

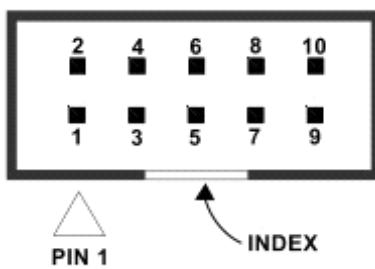
Local signalling	1 LED green for PWR
Electrical connection	Removable screw terminal block for inputs and outputs (pitch 5.08 mm)
Mounting support	Top hat type TH35-15 rail conforming to IEC 60715 Top hat type TH35-7.5 rail conforming to IEC 60715
Height	86.00 mm
Depth	59.00 mm
Width	35.00 mm
Product weight	0.12 Kg

Environment

Relative humidity	10....95% without condensation in operation
IP degree of protection	IP20
Operating altitude	0...2000m
Storage altitude	0...3000m
Shock resistance	15 gn for 11 ms
Operating temperature	-40 to +85 'C



Expansion port pin map

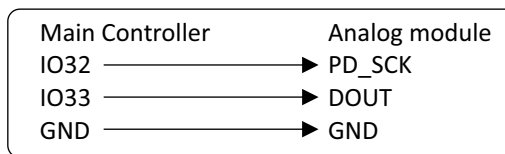
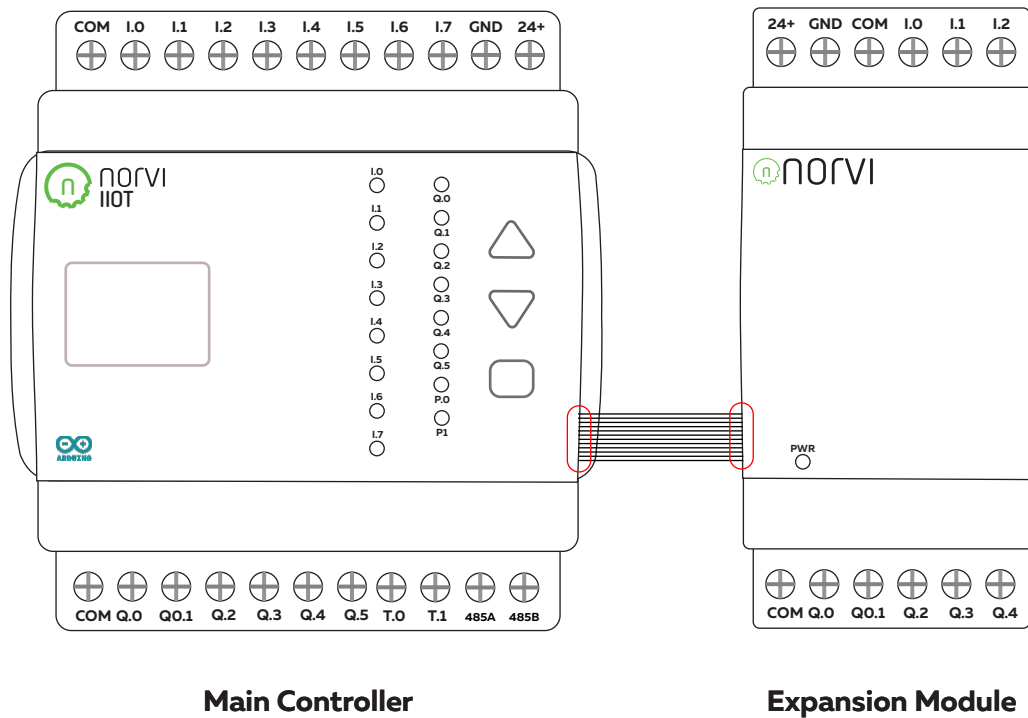


PIN	ESP32 Connection
1	TXD0
2	IO33
3	RXD0
4	Not Connected
5	IO32
6	BOOT IO0
7	SCL IO17
8	Not Connected
9	SDA IO16
10	Ground

CONTROLLER



EXPANSION



Analog Module communication

Module Type	HX711
Communication	Serial Interface
Module Address	NA
Command set	https://norvi.lk/forums/

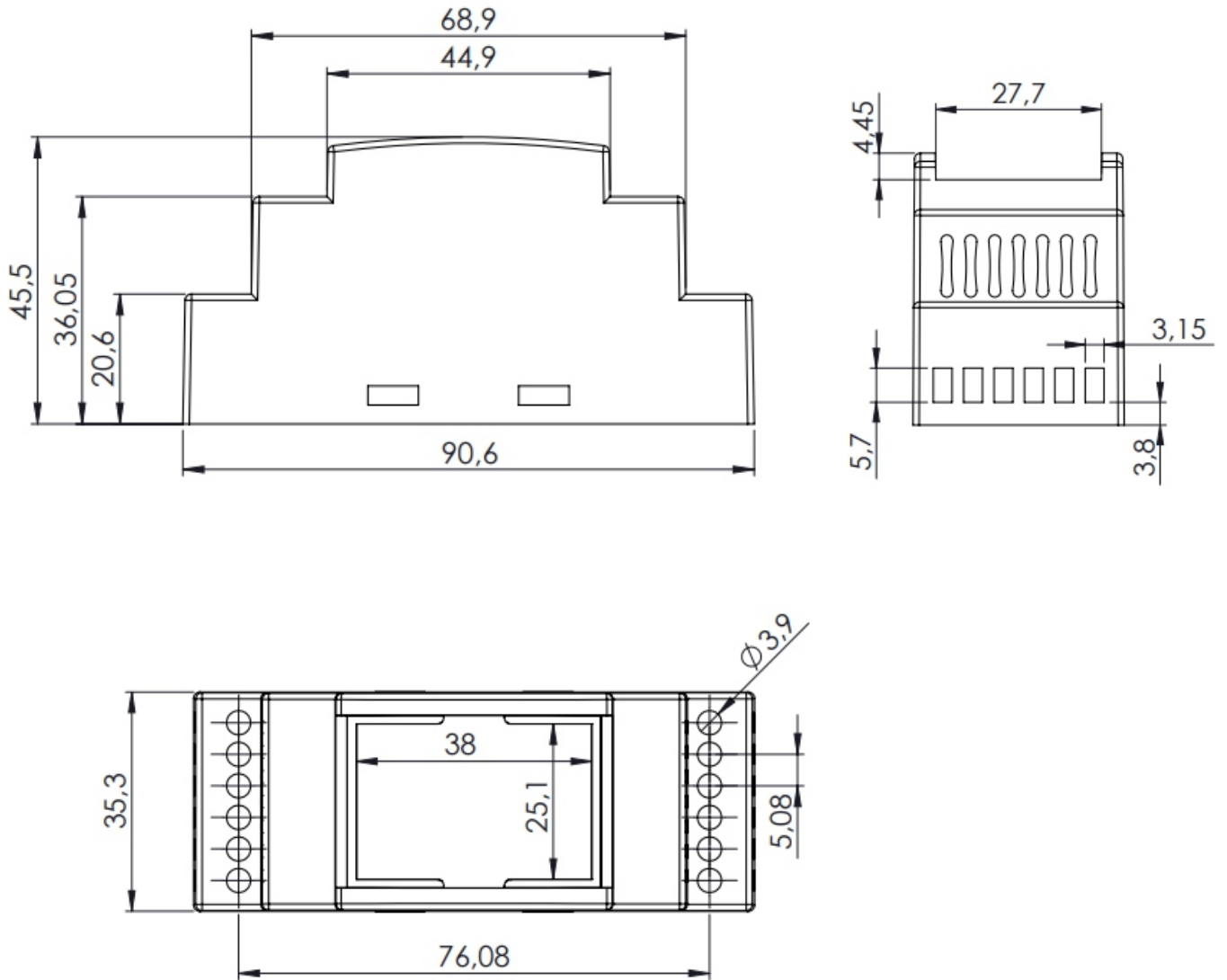
Refer datasheets of HX711 for detailed information

<https://www.quectel.com/product/bc95g.htm>

Example program and libraries available at

<https://norvi.lk/forums>

Dimensions





Reach-Us

Technical Support

E-mail : info@icd.lk

Forum : <https://norvi.lk/forums/>

Sales Inquiries

E-mail : bhanuka@icd.lk

Web : <https://norvi.lk/support/>

Order Online

<https://norvi.lk/>